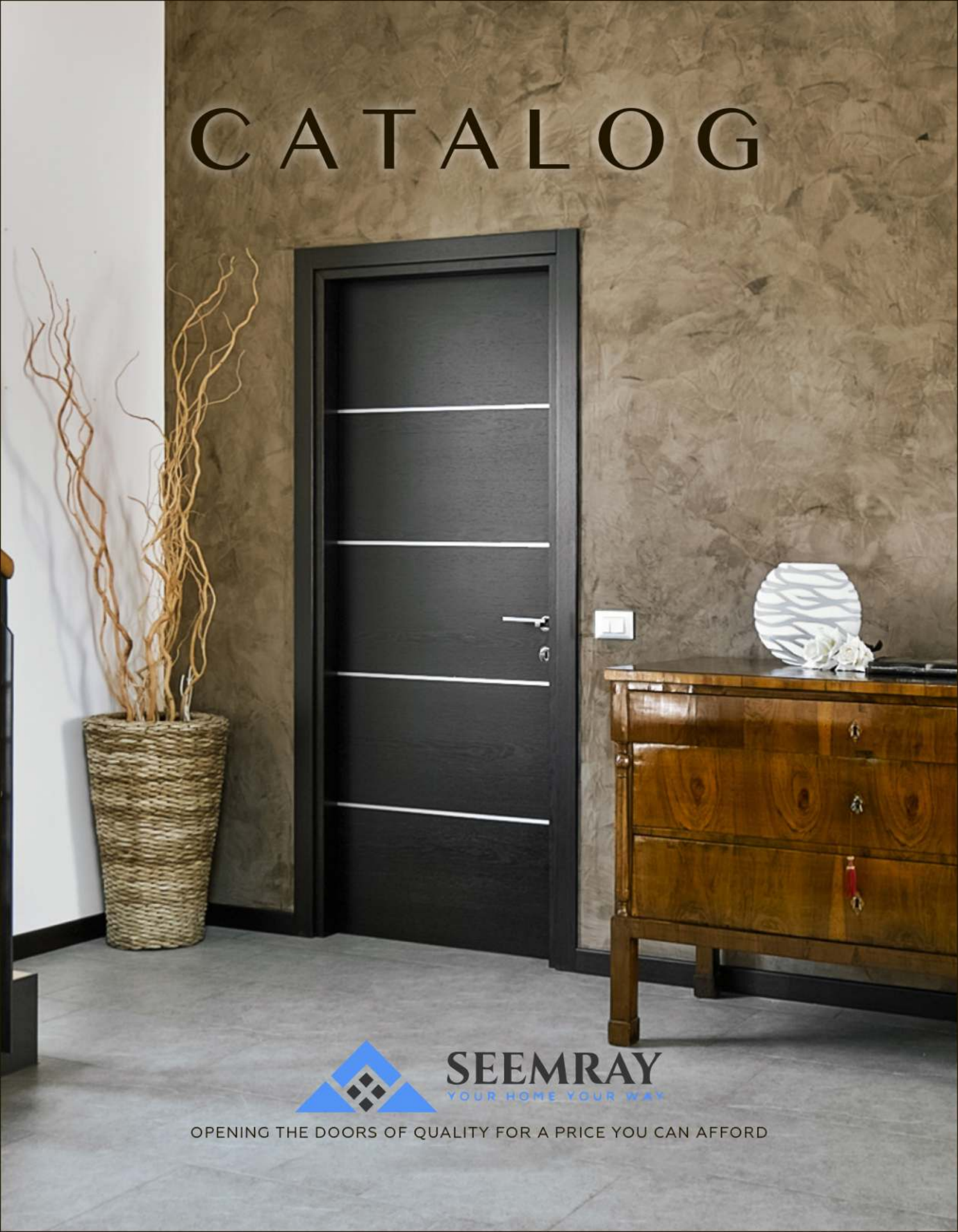


CATALOG



SEEMRAY
YOUR HOME YOUR WAY

OPENING THE DOORS OF QUALITY FOR A PRICE YOU CAN AFFORD

Italia Series Interior Doors

The Italia Interior Door Series offers class and quality in both design and function, with its rich colors and slim, vertical glass insert. Made in Europe and proudly designed and assembled in the USA, its Premium Smart Core construction and PPL finish offer durability and substantial sound dampening benefits. The Italia Series is available in 6 standard widths (18", 24", 28", 30", 32" and 36") and 3 heights (80", 84" and 96").

Available in five luxurious colors, interchangeable glass, optional aluminum edging, myriad design options, and a 3-Year Warranty, making the Italia Series a Nova best seller.

Technical Specifications

Available Colors	Prestige Brown, Light Gray, Swiss Elm, Alaskan White, Premium Wenge
Finish	PPL High Endurance (Renolit - Germany)
Door Construction	Solid Wood Skeleton with High Density Filler (Smart Core) Sound Proof Insulation (see page 53 for details)
Door Slab Height	80, 84 and 96 inches
Door Slab Width (exact)	17-7/8", 23-7/8", 27-7/8", 29-7/8", 31-7/8", 35-7/8"
Door Thickness	1-3/4 inches (45mm)
Door Slab Weight	Medium Size - 70 Pounds
Jamb Width	Telescopic 4" - 5-1/2" X 86" and 100" (extension available for over 5-1/2")
Door Molding Width	3" - L-Shaped, 86" and 100" Length, 5/8" Thick
Custom Size	Any Width and Height Up to 96 Inches
Custom Color	Over 50 Colors Available for Special Order (Renolit Catalogs)
Sliding Jamb	Flat Jamb 4"-5 1/2", 3/4" thick (Bypass/Sliding) Extensions Available for over 5 1/2"
Pocket Jamb	3 Split Jamb 1 Flat Jamb (Per Single Door), 3/4" thick
Floor Baseboard	4" X 96" X 5/8" All Stock colors Available
Astragal	Double Door Astragal (Covers Gap Between the 2 doors)
2 Sided Panel	3/8" X 36" X 96" For Custom Sliding/Bifold/Pivot closet Doors
Extension	2 1/2" X 5/8" X 86" and 100" (Used For Walls over 5 1/2" Thick)
Stripe Finish	Brushed Anodized, Shine Gold Anodized, Brushed Gold Anodized, Brilliant Anodized, Pre-Painted Matte Black, Pre Painted Brilliant Black
Warranty	Leading 3-Year Structural Warranty

Available Glass Options



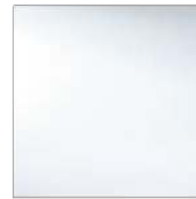
Black



Clear



Frosted



White

Features:

- Premium Solid Core Construction
- Five Finish Options: Prestige Brown, Light Gray, Swiss Elm, White, Premium Wenge
- Premium PPL Laminated Finish
- Glass Options Available
- Six Stripe Finishes Available for Select Models
- Proudly Designed and Assembled in the USA and Overseas
- 3-Year Warranty



Optional Aluminum Edging



ITALIA LIGHT GREY



ITALIA SWISS ELM



ITALIA PRESTIGE BROWN



ITALIA PREMIUM WENGE



ITALIA ALASKAN WHITE



Italia Flush Series Interior Doors

The Italia Flush Series strikes a perfect balance between modern and classical design. With five different PPL finish color options, and 10 different design options, the Italia Flush Series is highly customizable to find the perfect fit for you and your home.

It also offers all the same construction benefits as all Italia series doors, such as Premium Smart Core construction, availability in 6 standard widths and 80", 84" or 96" heights, 45mm thickness, design and assembly in the USA. Available colors include Alaskan White, Light Gray, Prestige Brown, Swiss Elm and Premium Wenge

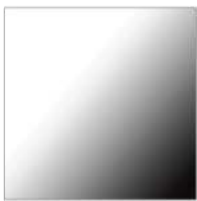


Optional Aluminum Edging

Stripe Finishes for Select Models



Brushed
Anodized



Brilliant
Anodized



Brushed Gold
Anodized



Shine Gold
Anodized



Pre Painted
Matte Black



Pre Painted
Brilliant Black



ITALIA FLUSH 01 PB



ITALIA FLUSH 02 PB



ITALIA FLUSH 03 PB



ITALIA FLUSH 04 PB



ITALIA FLUSH 05 PB



ITALIA FLUSH 06 PB



ITALIA FLUSH 07 PB



ITALIA FLUSH 08 PB



ITALIA FLUSH 09 PB



ITALIA FLUSH 10 PB

ITALIA FLUSH SERIES INTERIOR DOORS



ITALIA FLUSH 01 SE



ITALIA FLUSH 02 SE



ITALIA FLUSH 03 SE



ITALIA FLUSH 04 SE



ITALIA FLUSH 05 SE



ITALIA FLUSH 06 SE



ITALIA FLUSH 07 SE



ITALIA FLUSH 08 SE



ITALIA FLUSH 09 SE



ITALIA FLUSH 10 SE





ITALIA FLUSH 01 LG



ITALIA FLUSH 02 LG



ITALIA FLUSH 03 LG



ITALIA FLUSH 04 LG



ITALIA FLUSH 05 LG



ITALIA FLUSH 06 LG



ITALIA FLUSH 07 LG



ITALIA FLUSH 08 LG



ITALIA FLUSH 09 LG



ITALIA FLUSH 10 LG



ITALIA FLUSH 01 PW



ITALIA FLUSH 02 PW



ITALIA FLUSH 03 PW



ITALIA FLUSH 04 PW



ITALIA FLUSH 05 PW



ITALIA FLUSH 06 PW



ITALIA FLUSH 07 PW



ITALIA FLUSH 08 PW



ITALIA FLUSH 09 PW



ITALIA FLUSH 10 PW

ITALIA FLUSH SERIES INTERIOR DOORS



ITALIA FLUSH 01 AW



ITALIA FLUSH 02 AW



ITALIA FLUSH 03 AW



ITALIA FLUSH 04 AW



ITALIA FLUSH 05 AW



ITALIA FLUSH 06 AW



ITALIA FLUSH 07 AW



ITALIA FLUSH 08 AW



ITALIA FLUSH 09 AW



ITALIA FLUSH 10 AW

Italia Vetro Series Interior Doors

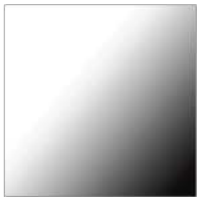
The Italia Vetro Series offers a clean, modern, yet comfortable feel for your office and home. Completely and proudly made and assembled in the US, the Vetro series offers 11 model options which are extremely customizable to your taste and style.

Available in the same five luxurious colors, our unique design options incorporate top quality materials, such as triplex glass available in white, clear and frosted, crafted with expertise. All components, including 80", 84" and 96" stiles are always kept in stock, so the lead time for your Italia Vetro is kept to a minimum.

Stripe Finishes for Select Models



Brushed
Anodized



Brilliant
Anodized



Brushed Gold
Anodized



Shine Gold
Anodized



Pre Painted
Matte Black



Pre Painted
Brilliant Black

Available Glass Options



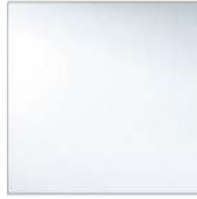
Black



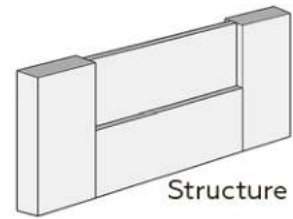
Clear



Frosted



White



Structure



ITALIA VETRO SERIES INTERIOR DOORS



VETRO 01 LG



VETRO 1H LG



VETRO 2HC LG



VETRO 2H LG



VETRO 3H LG



VETRO 1 LITE LG



VETRO 2 LITE LG



VETRO 3 LITE LG



VETRO 4 LITE LG



VETRO 5 LITE LG



VETRO 6 LITE LG



VETRO 01 PB



VETRO 1H PB



VETRO 2HC PB



VETRO 2H PB



VETRO 3H PB



VETRO 1 LITE PB



VETRO 2 LITE PB



VETRO 3 LITE PB



VETRO 4 LITE PB



VETRO 5 LITE PB



VETRO 6 LITE PB



VETRO 01 SE



VETRO 1H SE



VETRO 2HC SE



VETRO 2H SE



VETRO 3H SE



VETRO 1 LITE SE



VETRO 2 LITE SE



VETRO 3 LITE SE



VETRO 4 LITE SE



VETRO 5 LITE SE



VETRO 6 LITE SE



ITALIA VETRO SERIES INTERIOR DOORS



VETRO 01 PW



VETRO 1H PW



VETRO 2HC PW



VETRO 2H PW



VETRO 3H PW



VETRO 1 LITE PW



VETRO 2 LITE PW



VETRO 3 LITE PW



VETRO 4 LITE PW



VETRO 5 LITE PW



VETRO 6 LITE PW



VETRO 01 AW



VETRO 1H AW



VETRO 2HC AW



VETRO 2H AW



VETRO 3H AW



VETRO 1 LITE AW



VETRO 2 LITE AW



VETRO 3 LITE AW



VETRO 4 LITE AW



VETRO 5 LITE AW



VETRO 6 LITE AW

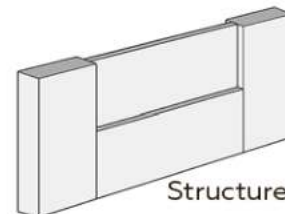
Italia Stile Series Interior Doors

The Italia Flush Series strikes a perfect balance between modern and classical design. With five different PPL finish color options, and 10 different design options, the Italia Flush Series is highly customizable to find the perfect fit for you and your home.

It also offers all the same construction benefits as all Italia series doors, such as Premium Smart Core construction, availability in 6 standard widths and 80", 84" or 96" heights, 45mm thickness, design and assembly in the USA. Available colors include Alaskan White, Light Gray, Prestige Brown, Swiss Elm and Premium Wenge



Optional Aluminum Edging

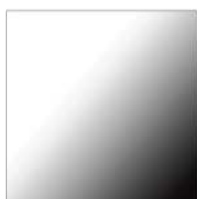


Structure

Stripe Finishes for Select Models



Brushed
Anodized



Brilliant
Anodized



Brushed Gold
Anodized



Shine Gold
Anodized



Pre Painted
Matte Black



Pre Painted
Brilliant Black



ITALIA STILE 01 LG



ITALIA STILE 1H LG



ITALIA STILE 2HC LG



ITALIA STILE 2H LG



ITALIA STILE 3H LG



ITALIA STILE 1L LG



ITALIA STILE 2L LG



ITALIA STILE 3L LG



ITALIA STILE 4L LG



ITALIA STILE 5L LG



ITALIA STILE 6L LG

ITALIA STILE SERIES INTERIOR DOORS



ITALIA STILE 01 PB



ITALIA STILE 1H PB



ITALIA STILE 2HC PB



ITALIA STILE 2H PB



ITALIA STILE 3H PB



ITALIA STILE 1L PB



ITALIA STILE 2L PB



ITALIA STILE 3L PB



ITALIA STILE 4L PB



ITALIA STILE 5L PB



ITALIA STILE 6L PB





ITALLIA STILE 01 SE



ITALLIA STILE 1H SE



ITALLIA STILE 2HC SE



ITALLIA STILE 2H SE



ITALLIA STILE 3H SE



ITALLIA STILE 1L SE



ITALLIA STILE 2L SE



ITALLIA STILE 3L SE



ITALLIA STILE 4L SE



ITALLIA STILE 5L SE



ITALLIA STILE 6L SE



ITALIA VETRO SERIES INTERIOR DOORS



ITALIA STILE 01 PW



ITALIA STILE 1H PW



ITALIA STILE 2HC PW



ITALIA STILE 2H PW



ITALIA STILE 3H PW



ITALIA STILE 1L PW



ITALIA STILE 2L PW



ITALIA STILE 3L PW



ITALIA STILE 4L PW



ITALIA STILE 5L PW



ITALIA STILE 6L PW



ITALIA STILE 01 AW



ITALIA STILE 1H AW



ITALIA STILE 2HC AW



ITALIA STILE 2H AW



ITALIA STILE 3H AW



ITALIA STILE 1L AW



ITALIA STILE 2L AW



ITALIA STILE 3L AW



ITALIA STILE 4L AW



ITALIA STILE 5L AW



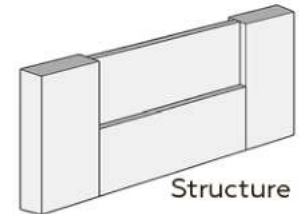
ITALIA STILE 6L AW

Triplex Series Interior Doors

One of the most popular Nova Doors and Hardware interior door ranges, the Triplex Series maintains an open, flowing atmosphere, even with the door closed. These modern interior doors are constructed of solid wood, MDF, and fused triplex frosted glass. All 80" Triplex doors are available in 6 standard widths and are made in Europe. The 84" and 96" Triplex Series also have many customizable design options, and each door is made in America and assembled by hand, with the highest expertise and care.

Features:

- Sleek White UV Lacquered Paint Finish
- Glass Options Available
- Six Stripe Finishes Available for Select Models
- Proudly Designed and Assembled in the USA And Overseas
- 3-Year Warranty



Technical Specifications

Available Colors	White
Finish	Laminated Soft White Finish
Door Construction	Solid Pine Wood and Glass (see page 53 for details)
Door Slab Height	80, 84 and 96 inches
Door Slab Width (exact)	17-7/8", 23-7/8", 27-7/8", 29-7/8", 31-7/8", 35-7/8"
Door Thickness	1-3/4 inches (45mm)
Door Slab Weight	Medium Size - 90 Pounds
Jamb Width	Telescopic 4"-5 1/2" X 86" and 100" (Extensions Available for over 5 1/2")
Door Molding Width	3" - L-Shaped 86" and 100" Length 5/8" Thick
Custom Size	Any Width up to 38" and Height Up to 96" Inches
Custom Color	Over 200 Colors Available for Special Order (PROUD Catalog)
Sliding Jamb	Flat Jamb 4"-5 1/2", 3/4" thick (Bypass/Sliding) Extensions Available for over 5 1/2"
Pocket Jamb	3 Split Jambs 1 Flat Jamb (Per Single Door), 3/4" thick
Astragal	Double Door Astragal (Covers Gap Between the 2 doors)
Extension	2 1/2" X 5/8" X 86" and 100" (Used For Walls over 5 1/2" Thick)
Warranty	Leading 3-Year Structural Warranty

Stripe Finishes for Select Models



Brushed
Anodized



Brilliant
Anodized



Brushed Gold
Anodized



Shine Gold
Anodized



Pre Painted
Matte Black

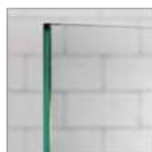


Pre Painted
Brilliant Black

Available Glass Options



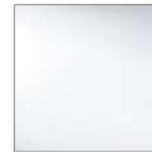
Black



Clear



Frosted



White

TRIPLEX SERIES LAMINATED INTERIOR DOORS



TRIPLEX-001 WHITE



TRIPLEX-002 WHITE



TRIPLEX-003 WHITE



TRIPLEX-004 WHITE



TRIPLEX-005 WHITE



TRIPLEX-006 WHITE



TRIPLEX-007 WHITE



TRIPLEX-008 WHITE

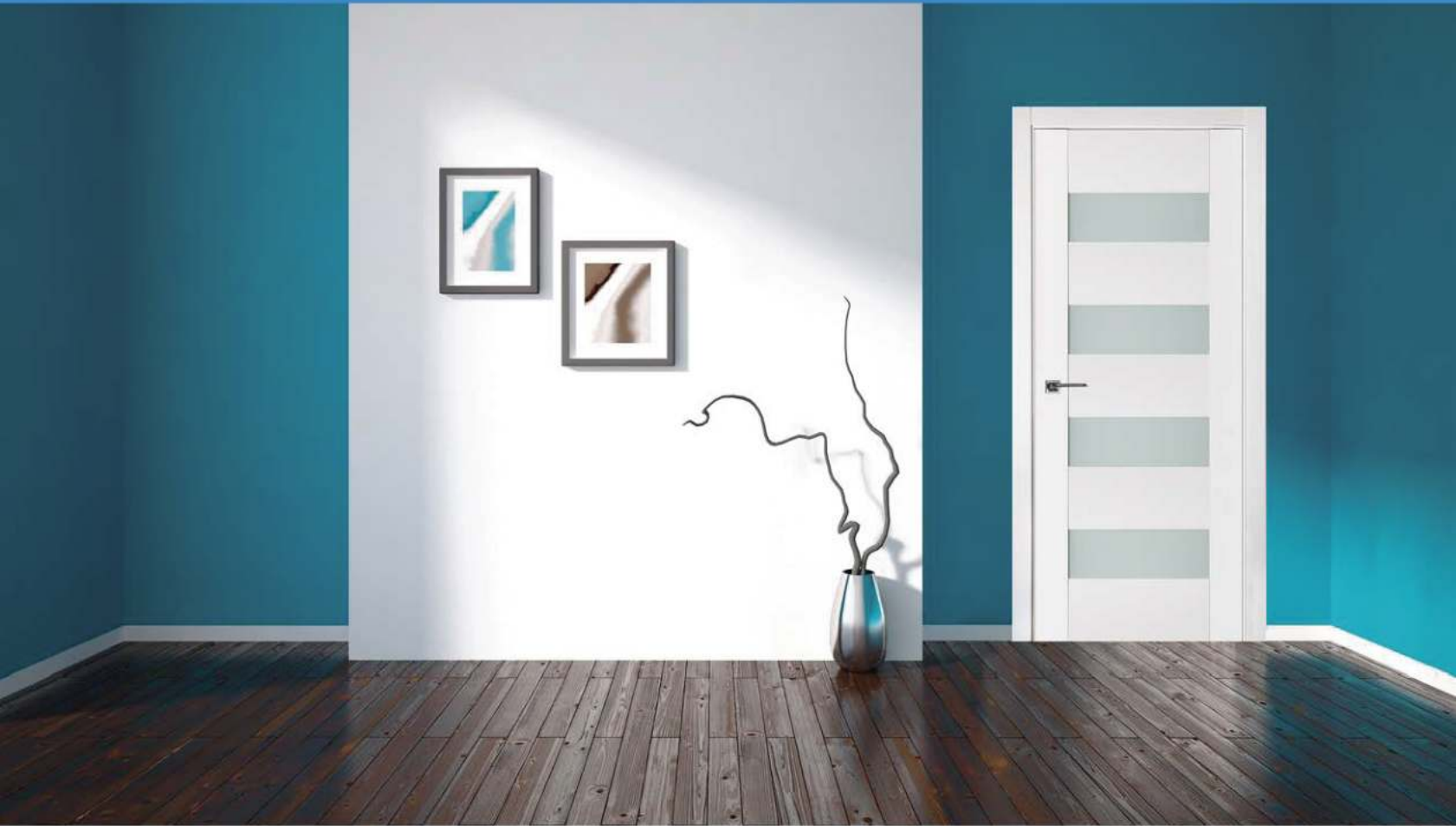


TRIPLEX-009 WHITE



TRIPLEX-012 WHITE





TRIPLEX-013 WHITE



TRIPLEX-015 WHITE



TRIPLEX-017 WHITE



TRIPLEX-018 WHITE



TRIPLEX-020 WHITE



TRIPLEX-021 WHITE



TRIPLEX-022 WHITE



TRIPLEX-023 WHITE



TRIPLEX-024 WHITE



TRIPLEX-025 WHITE

TRIPLEX SERIES INTERIOR DOORS



TRIPLEX-029 WHITE



TRIPLEX-035 WHITE



TRIPLEX-036 WHITE



TRIPLEX-040 WHITE



TRIPLEX-054 WHITE



TRIPLEX-056 WHITE



TRIPLEX-057 WHITE



TRIPLEX-058 WHITE



TRIPLEX-059 WHITE

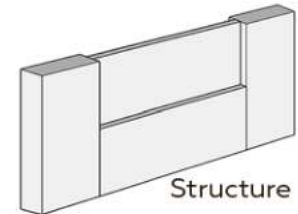


Stile Series Interior Doors

The Stile Series offers over 10 design options. With slim, vertical frames defining the edges of the door's design, and available panels in 2.5", 5", and 10", this creates a central, eye-catching canvas for geometrical design innovation. Thin, metallic striping accents offer subtle shadowed effects on the surface of the door. Easily one of Nova Door's most unique and customizable options, the Stile Series offers a high quality feel and gliding swing.

Features:

- Laminated Soft White Finish
- Stripe Colors Available
- Proudly Designed and Assembled in the USA And Overseas (DOM)
- 3-Year Warranty



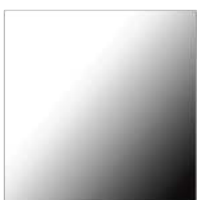
Technical Specifications

Available Colors	White
Finish	Laminated Soft White Finish
Door Construction	Solid Pine Wood with Solid MDF Core
Door Slab Height	80, 84 and 96 inches
Door Slab Width (exact)	17-7/8", 23-7/8", 27-7/8", 29-7/8", 31-7/8", 35-7/8"
Door Thickness	1-3/4 inches (45mm)
Door Slab Weight	Medium Size - 70 Pounds
Jamb Width	Telescopic 4"-5 1/2" X 86" and 100", 3/4" thick Extensions Available for over 5 1/2"
Door Molding Width	3" - L-Shaped 86" and 100" Length 5/8" Thick
Custom Size	Any Width up to 44" and Height Up to 96" Inches
Custom Color	Over 200 Colors Available for Special Order (PROUD Catalog)
Sliding Jamb	Flat Jamb 4"-5 1/2", 3/4" thick (Bypass/Sliding) Extensions Available for over 5 1/2"
Pocket Jamb	3 Split Jambs 1 Flat Jamb (Per Single Door), 3/4" thick
Astragal	Double Door Astragal (Covers Gap Between the 2 doors)
Extension	2 1/2" X 5/8" X 86" and 100" (Used For Walls over 5 1/2" Thick)
Warranty	Leading 3-Year Structural Warranty

Stripe Finishes for Select Models



Brushed
Anodized



Brilliant
Anodized



Brushed Gold
Anodized



Shine Gold
Anodized



Pre Painted
Matte Black



Pre Painted
Brilliant Black

STILE SERIES INTERIOR DOORS



STILE-001 WHITE



STILE-002 WHITE



STILE-003 WHITE



STILE-004 WHITE



STILE-005 WHITE



STILE-006 WHITE



STILE-007 WHITE



STILE-008 WHITE



STILE-009 WHITE



STILE-012 WHITE





STILE-013 WHITE



STILE-015 WHITE



STILE-017 WHITE



STILE-020 WHITE



STILE-021 WHITE



STILE-022 WHITE



STILE-023 WHITE



STILE-024 WHITE



STILE-025 WHITE



STILE-029 WHITE



STILE SERIES INTERIOR DOORS



STILE-032 WHITE



STILE-035 WHITE



STILE-036 WHITE



STILE-039 WHITE



STILE-040 WHITE



STILE-041 WHITE



STILE-043 WHITE



STILE-044 WHITE



STILE-054 WHITE



STILE-059 WHITE

Glam Series Laminated Interior Doors

The Glam Series is the epitome of simplistic, beautiful design. With pure color and shine, this range of interior doors is the apex when it comes to clean, modern design. It is available in all six standard widths with 80", 84" and 96" heights. This Series also offers both a thick honeycomb interior, and the thickest MDF layer available, at 10mm on each side. These features give the Glam Series excellent sound dampening benefits and a very solid feel. The Glam Series demonstrates great versatility with its 10 design options, and is ideal for several hanging options, such as barn door, sliding doors, and pocket doors. With so many options, it's easy to find a single door or a small collection of doors to fit your design preferences and space.

Features:

- Laminated Soft White Finish
- Stripe Colors Available
- 3-Year Warranty

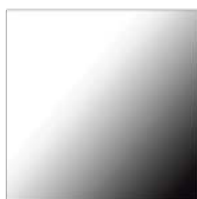
Technical Specifications

Available Colors	White
Finish	Laminated Soft White Finish
Door Construction	Solid Pine Wood with Reinforced Foamed Panel (see page 53 for details)
Door Slab Height	80, 84 and 96 inches
Door Slab Width (exact)	17-7/8", 23-7/8", 27-7/8", 29-7/8", 31-7/8", 35-7/8"
Door Thickness	1-3/4 inches (45mm)
Door Slab Weight	Medium Size - 70 Pounds
Jamb Width	Telescopic 4"-5 1/2" X 86" and 100", 3/4" thick Extensions Available for over 5 1/2"
Door Molding Width	3" - L-Shaped, 86" and 100" Length, 5/8" Thick
Custom Size	Any Width up to 44" and Height Up to 96" Inches
Custom Color	Over 200 Colors Available for Special Order (PROUD Catalog)
Sliding Jamb	Flat Jamb 4"-5 1/2", 3/4" thick (Bypass/Sliding) Extensions Available for over 5 1/2"
Pocket Jamb	3 Split Jamb 1 Flat Jamb (Per Single Door), 3/4" thick
Astragal	Double Door Astragal (Covers Gap Between the 2 doors)
Extension	2 1/2" X 5/8" X 86" and 100" (Used For Walls over 5 1/2" Thick)
Warranty	Leading 3-Year Structural Warranty

Stripe Finishes for Select Models



Brushed
Anodized



Brilliant
Anodized



Brushed Gold
Anodized



Shine Gold
Anodized



Pre Painted
Matte Black



Pre Painted
Brilliant Black

GLAM SERIES INTERIOR DOORS



GLAM 001



GLAM 002



GLAM 003



GLAM 004



GLAM 005



GLAM 006



GLAM 007



GLAM 008



GLAM 009



GLAM 010



High Gloss Laminated Series

Celebrating modern lines, monochromatic design and engaging with ambient light, the High Gloss Laminated Door Series befits any well-appointed contemporary space. Interior doors, these models are as durable as they are handsome. At the core, the premium door slab is solid and backed by a strong three-year structural warranty.

Smooth and shiny, the white high gloss of the structure is interrupted by horizontal panes of black glass for an opposing, eye-appealing, and modern aesthetic. For the greatest passage of light, the Sydney model boasts wide glass strips while the Ibiza model is more discrete wearing thin black glass panes to allow for more privacy.

Offered in two heights and six slab widths with a 1 ¾" thickness, doors of the High Gloss Laminated Series provide a solution for myriad interiors. As a NOVA door series, many components are customizable for just the right fit.

Features:

- Premium PPL Finish
- High Gloss Enamel Finish
- Black Glass
- 2 Models to Choose From
- 3-Year Structural Warranty

Technical Specifications

Available Colors	High Gloss White
Finish	Smooth High Gloss Finish
Door Construction	Solid Modular MDF and Pine Wood (see page 53 for details)
Door Slab Height	80" and 96"
Door Slab Width (exact)	17-7/8", 23-7/8", 27-7/8", 29-7/8", 31-7/8", 35-7/8"
Door Thickness	1-3/4 inches (45mm)
Door Slab Weight	Heavy Weight - 80 Pounds
Jamb Width	Telescopic 4"-5 1/2" X 86", 3/4" thick Extensions Available for over 5 1/2"
Door Molding Width	3" - L-Shaped 86" 5/8" Thick
Sliding Jamb	Flat Jamb 4"-5 1/2", 3/4" thick (Bypass/Sliding) Extensions Available for over 5 1/2"
Pocket Jamb	3 Split Jambs 1 Flat Jamb (Per Single Door), 3/4" thick
Extension	2 1/2" X 5/8" X 86" (Used For Walls over 5 1/2" Thick)
Warranty	Leading 3-Year Structural Warranty

HIGH GLOSS LAMINATED SERIES INTERIOR DOORS



SYDNEY



IBIZA

Laminated Series Interior Doors

The Nova Laminated Series is one of the more affordable options. However, with over four hundred models and two hundred different finishes in each size, the Laminated Series is one of our best sellers. Its high quality materials and sturdy construction, with MDF over wood, make this a heavy, sturdy door excellent for soundproofing. The endless options of model and finish ensure that you'll find the style and design that speaks to you, with the highest quality material, all at an affordable price.

Features:

- Premium Reinforce Core
- Many Colors available
- PVC Laminated Finish
- Smooth and Textured Finishes
- 3-Year Warranty

Technical Specifications

Available Colors	Aloe Wood, White Wenge, Black Walnut, Pure White, etc
Finish	High Endurance PVC
Door Construction	Solid Pine Wood, MDF Reinforced, Foamed (Sound Proof Insulation) (see page 53 for details)
Door Slab Height	80, 84 and 96 inches
Door Slab Width (exact)	17-7/8", 23-7/8", 27-7/8", 29-7/8", 31-7/8", 35-7/8"
Door Thickness	1-3/4 inches (45mm)
Door Slab Weight	Medium Size - 50 Pound
Jamb Width	Telescopic 4" - 5-1/2" X 86" and 100" (Extensions Available for over 5-1/2")
Door Molding Width	3" - L-Shaped 86" and 100" Length 5/8" Thick
Custom Size	Any Width and Height Up to 96 Inches
Custom Color	Over 200 Colors Available for Special Order (PROUD Catalogs)
Sliding Jamb	Flat Jamb 4"-6", 3/4" thick (Bypass/Sliding) Extensions Available for over 6"
Pocket Jamb	3 Split Jamb 1 Flat Jamb (Per Single Door), 3/4 thick
Floor Baseboard	4" X 96" X 1/2" All Stock colors Available
Astragal	Double Door Astragal (Covers Gap Between the 2 doors)
2 Sided Panel	3/8" X 36" X 96" For Custom Sliding/Bifold/Pivot closet Doors
Extension	2 1/2" X 5/8" X 86" and 100" (Used For Walls over 6" Thick)
Warranty	Leading 3-Year Warranty

LAMINATED SERIES INTERIOR DOORS



HG-008BA



HG-008JO



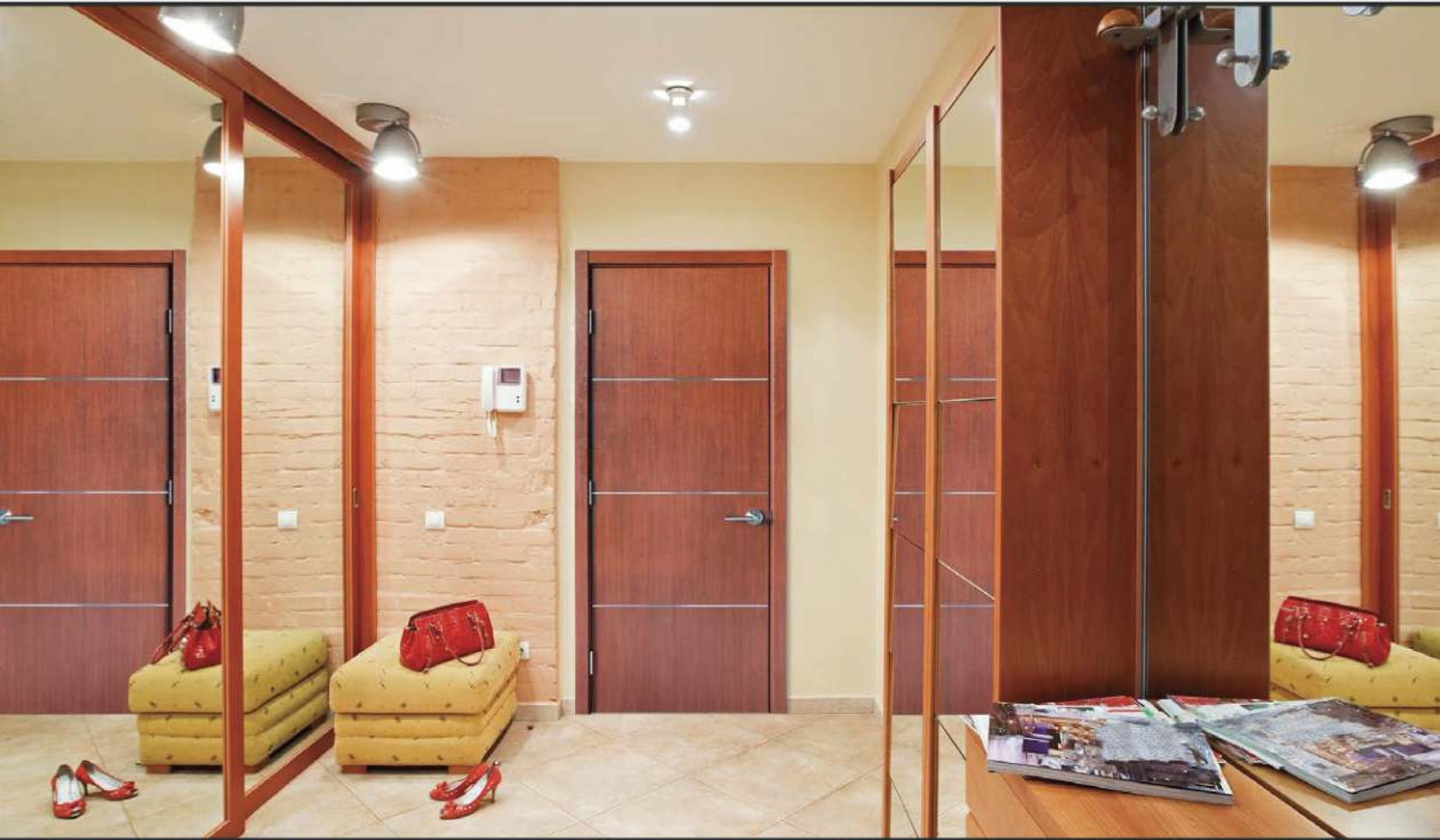
HG-008KM



HG-008WW



HG-008WD



HG-008SA



M-34BW



M-34S



HM-419



1 Lite White Wenge



1 Lite 1H White Wenge



1 Lite 2HC White Wenge



1 Lite 2H White Wenge



1 Lite 3H White Wenge



2 Lite White Wenge



3 Lite White Wenge



4 Lite White Wenge



5 Lite White Wenge



6 Lite White Wenge

LAMINATED SERIES INTERIOR DOORS



HG002V Japan Oak



HG002V Light Aloe



HG002V Dark Aloe



HG002VR Japan Oak



HG002VR Light Aloe



HG002VR Dark Aloe





1 Panel Soft White



2 Panel Soft White



2 Panel Arch Soft White



3 Panel Soft White



GROVE Soft White



OVALO Soft White



SLANT Soft White



5 Panel Soft White



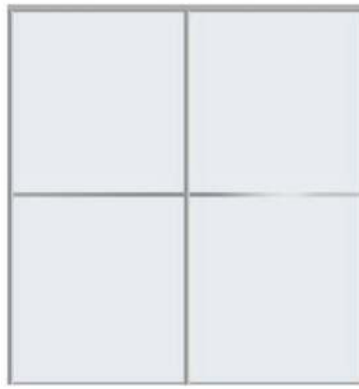
M34 Soft White



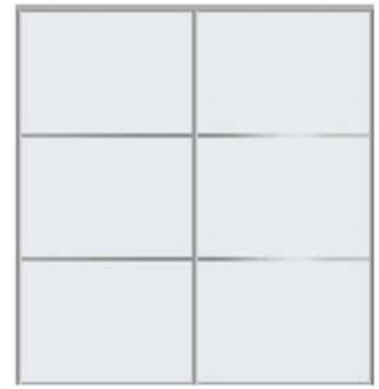
GRAFFITI Soft White



SD-S1



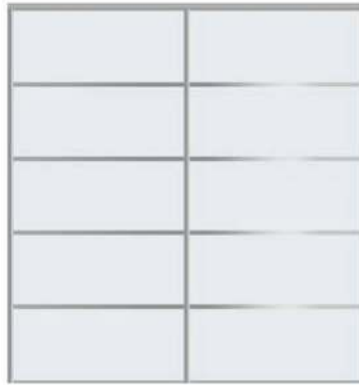
SD-S2



SD-S3



SD-S4



SD-S5



SD-S6



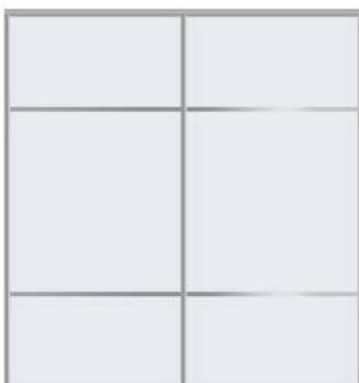
SD-S7



SD-S8



SD-S9



SD-S10



SD-S11

All doors are proudly made in the USA with a sleek premium German aluminum profile, available in 3 colors - Black, Silver and White.

Eleven premade design options can be personalized with any color of glass, mirror, or wood panel. Have something else in mind? Draw your own design and get doors custom-made for you. Custom height or width available.

3-YEAR WARRANTY

SLIDING & BI-FOLD CLOSET DOORS



BD-S1



BD-S2



BD-S3



BD-S4



BD-S5



BD-S6



BD-S7



BD-S8



BD-S9



BD-S10



BD-S11

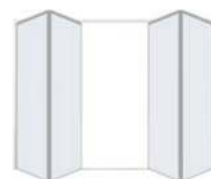
BI-FOLD DOORS POSSIBLE CONFIGURATIONS



LEFT TO RIGHT



RIGHT TO LEFT



DOUBLE



PD-S1



PD-S2



PD-S3



PD-S4



PD-S5



PD-S6



PD-S7



PD-S8



PD-S9



PD-S10



PD-S11

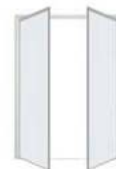
PIVOT DOORS POSSIBLE CONFIGURATIONS



LEFT TO RIGHT



RIGHT TO LEFT



DOUBLE

SLIDING CLOSET DOORS



SD-13



SD-14



SD-15



SD-16



SD-17



SD-18



SD-19



SD-20



SD-21



SD-22



SD-23



SD-24



SD-25



SD-26



SD-27



SD-28



SD-29



SD-30



SD-31



SD-32



SD-33



SD-34



SD-35



SD-36

SLIDING CLOSET DOORS



SD-37



SD-38



SD-39



SD-40



SD-41



SD-42



SD-43



SD-44



SD-45



SD-46



SD-47



SD-48



SD-49



SD-50



SD-51



SD-52



SD-53



SD-54

AVAILABLE PROFILE FINISHES



SILVER

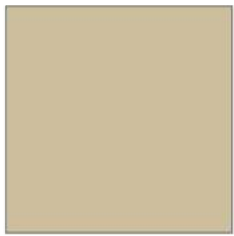


WHITE



BLACK

AVAILABLE GLASS FINISHES



BEIGE



BLACK



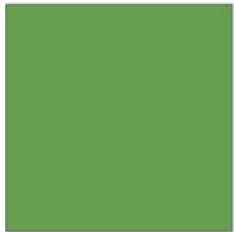
BROWN



BURGUNDY



PINK



GREEN



SILVER GREY



WHITE



LIGHT RED



MIRROR

AVAILABLE PANEL FINISHES



LIGHT ALOE WOOD



LIGHT GREY



PRESTIGE BROWN



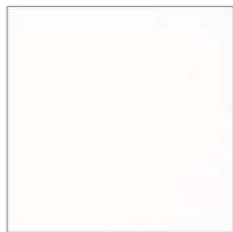
SWISS ELM



JAPAN OAK



KOREAN MAHOGANY



PURE WHITE



SAPELE



DARK ALOE WOOD



BLACK WALNUT



PREMIUM WENGE



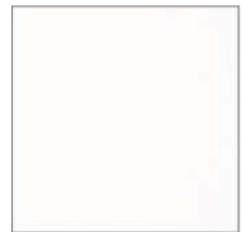
WHITE DRAWING



BLACK ASH



WHITE WENGE



SOFT WHITE

US Standard Hardware



MODERNUS



CURVE



SIMPLICITY



VENUS



SATURN



GRANATA



JUPITER



QUAD

European Hardware



AQUILA



ARIES



DIAMOND



QUATRA



AURORA



LYRA



VEGA



VELA



QUAD BLACK

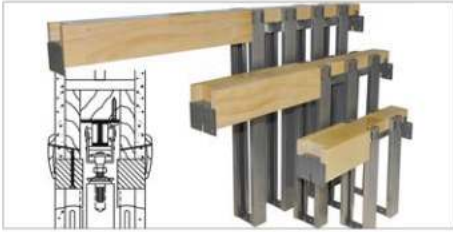


QUAD WHITE



ORION

SLIDING • BI-FOLD • BYPASS



POCKET DOOR FRAME KITS



BI-FOLD DOOR HARDWARE



MULTI FOLD DOOR HARDWARE



WALL MOUNT SLIDING HARDWARE

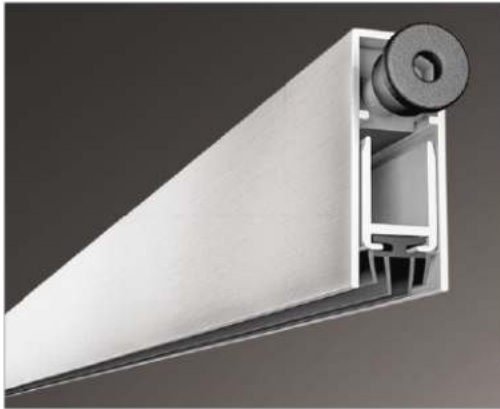


SLIDING BYPASS HARDWARE



MULTI-PASS HARDWARE

Smart Sweep Door Hardware



Barn Door Hardware



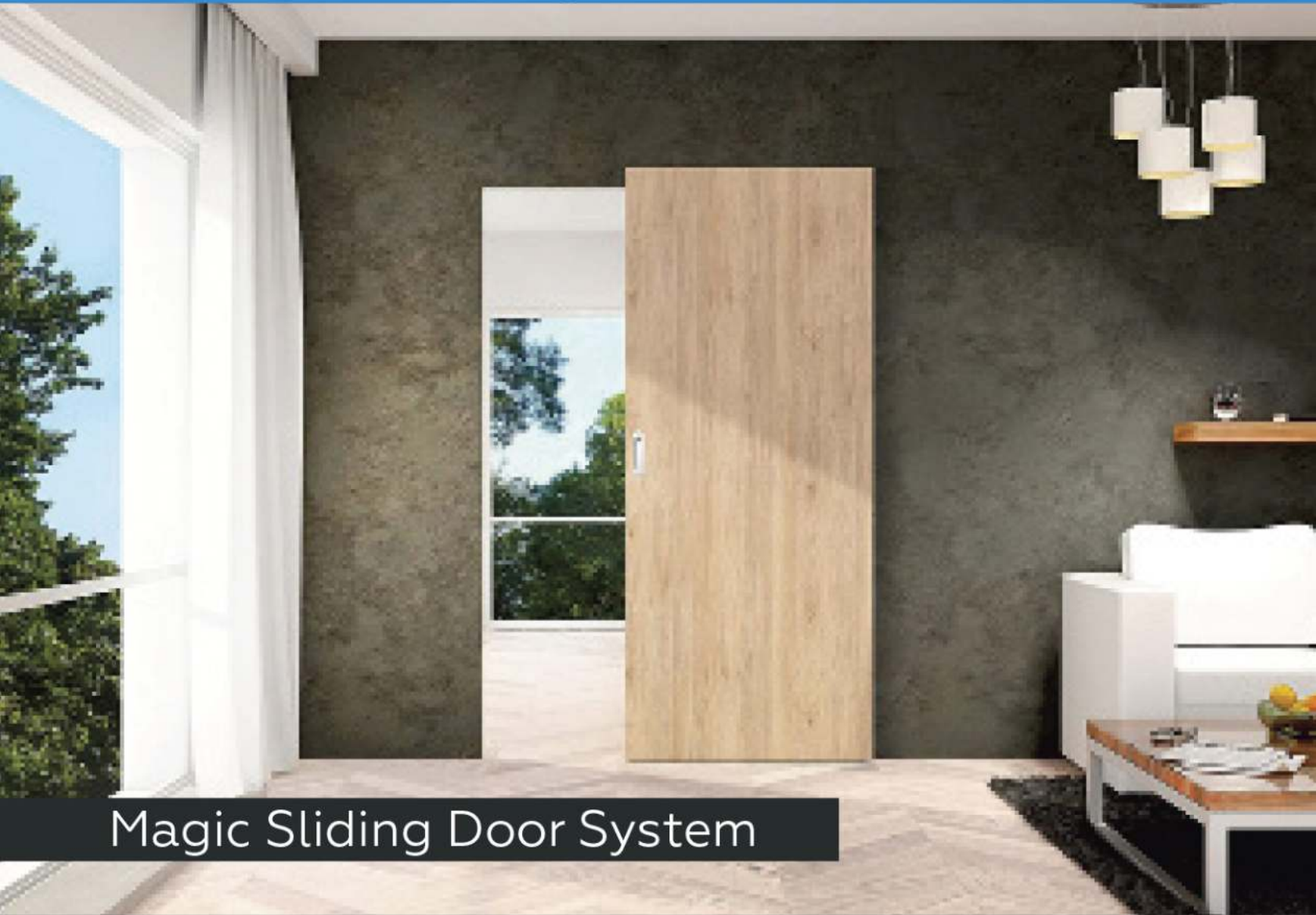
COUNTRY STYLE



MODERN WITH ROUND TRACK



MODERN WITH T-STYLE TRACK

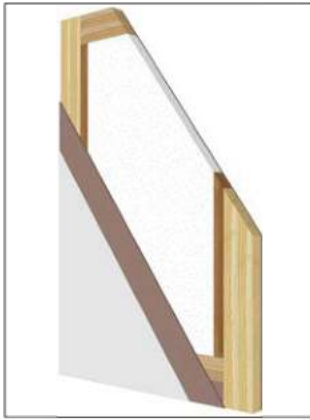


Magic Sliding Door System

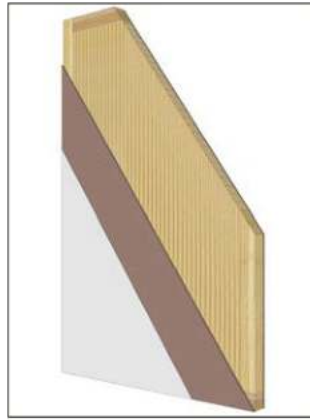
Invisible Sliding System for Wooden and Glass Doors



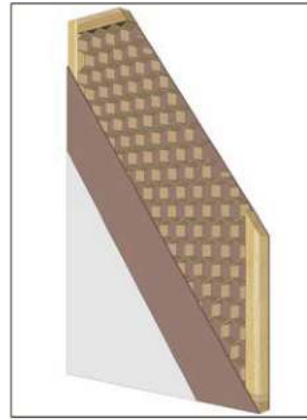
Interior Door Core Variation



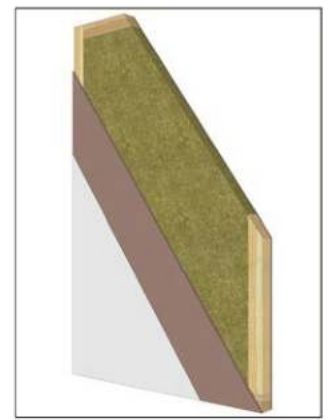
Solid Wood Skeleton with
MDF and Styrofoam



Solid Wood Skeleton with
Solid Wood Strips Core

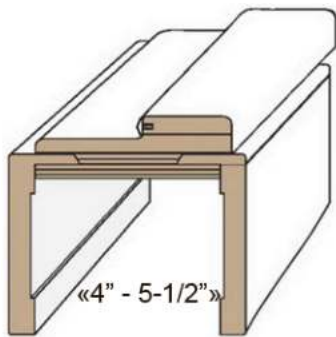


Solid Wood Skeleton with
Honeycomb Core

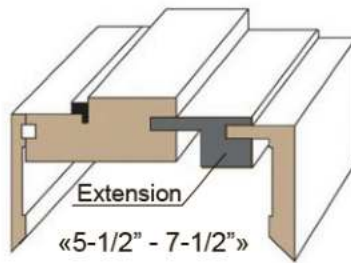


Solid Wood Skeleton with High
Density Filler (Smart CORE)

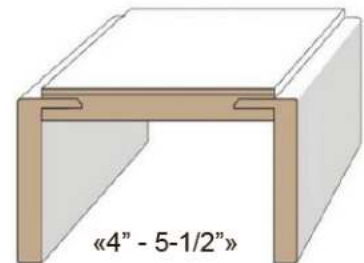
Jambs - Casings - Extensions



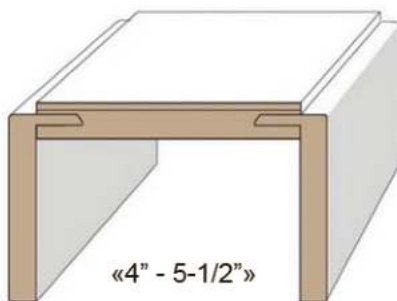
Single Rabbet Telescopic Jamb with
Rubber Seal and L-Shaped Casing on
Both Sides. Extension is Optional.



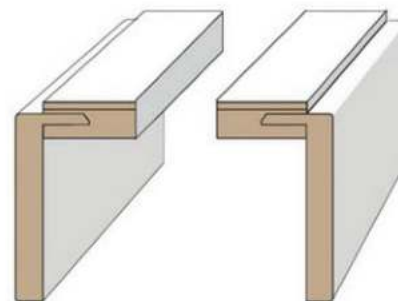
Jamb Extension to Accomodate Any
Width of the Wall.



Sliding Door Jambs with Telescopic L-
Shaped Casings. Extension is Optional.



Pocket Door Jambs with Telescopic L-Shaped Casings. Extension is Optional.



* Matching Baseboards Available.

Door Finish

- Primed - Coating that needs to be painted on site.
- Enamel Paint - 2 part paint process, thicker and more durable than traditional paint.
- PVC - Durable Laminated Coating.
- PPL - Scratch resistant, thicker finish available in textured options.
- Unfinished - Complete unfinished surface, needs to be primed, painted or stained.
- Wood Species - Natural wood to be stained (recommended).
- Wood Veneer - Available in unfinished and pre finished configuration.
- Fiber Glass - Man made material used for exterior doors.
- Steel - Steel doors made for exterior use.

Slab Only Configuration

No Hinge or Handle / No Deadbolt Prep / No Frame / No Casings

- For use in existing frames or for sliding, bypass, pocket, barn or magic option.
- Keep in mind if installing into existing frames every manufacturer has different actual slab sizes. Some are prefit anywhere from 1/8 - 3/4 inches.
- Most Interior Doors Come In 3 Thicknesses 1-3/8", 1-1/2" and 1-3/4"

Knock Down Configuration

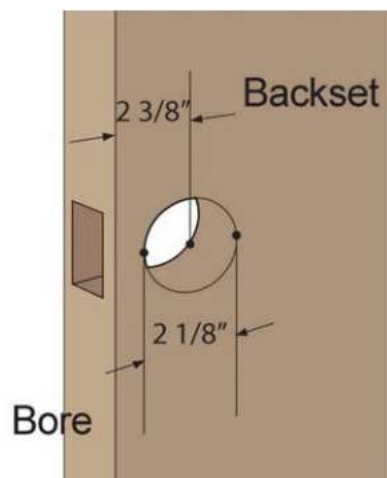
- Includes Door Slab, Frame and Casing Set
- Hardware is Optional (We recommend Butterfly Non-Mortise Hinges)
- No Hinge Prep, No Bore Prep
- For DIY Installation



Pre-Hung Configuration

- Prepped and Assembled
- Most Popular Choice For Both Home Owners And Installers
- Faster and Easier Installation Process
- Door Slab is Pre-Cut For Hardware
- Door Is Installed on Frame Using Chosen Hardware
- Casings Cut On Site By Installer To Ensure Proper Fit

US Standard Pre-Hung

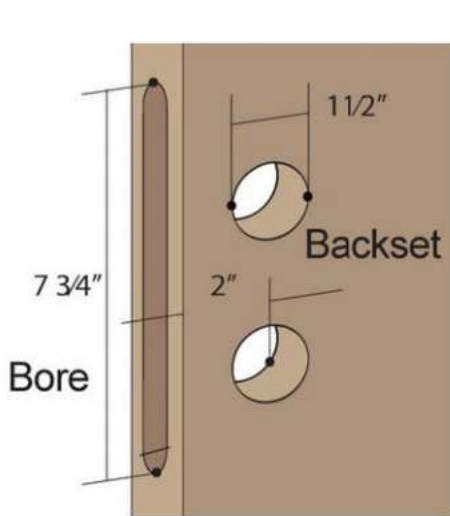


American Hole Bore:

- 2-3/8" Bore Backset is Standard.
- 2-3/4" Bore Backset Upon Request.
- Hung on Ball Bearing Mortise Hinges 3.5" x 3.5" x 5/8" Radius
- 3 Hinges for Doors up to 84 inches
- 4 Hinges for Doors over 84 inches
- Finish: Black, Brushed Satin Nickel, Polished Chrome, Polished Gold, Satin Gold



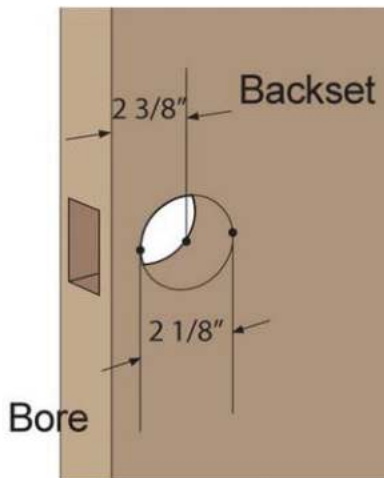
European Standard Pre-Hung



- Hung on European Invisible Hinges.
- Sleek Modern Look as Hinges are not Visible.
- Hinges are Adjustable and Easy to Rectify any Issues After Installation.
- 2 Hinges for Doors up to 84 inches
- 3 Hinges for Doors over 84 inches
- European Magnetick Lock prepped and installed.
- Passage, Privacy or Keyed Function with Round or Square Trim Option.
- Smooth Operation.
- Slimmed European Trim



Invisible 3D Hinges and US Lock Bore Pre-Hung



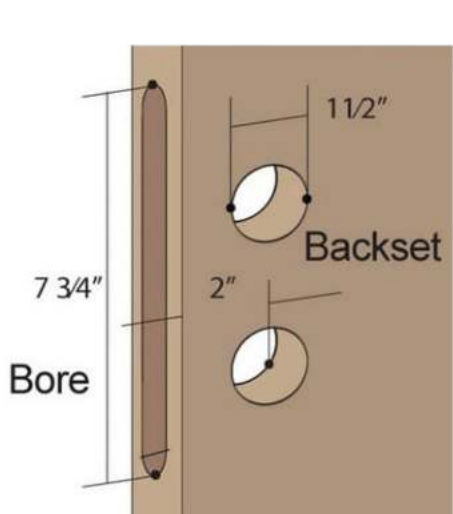
- Hung on European Invisible Hinges.
- Sleek Modern Look as Hinges are not Visible.
- Hinges are Adjustable and Easy to Rectify any Issues After Installation.
- 2 Hinges for Doors up to 84 inches.
- 3 Hinges for Doors over 84 inches.

American Hole Bore:

- 2-3/8" Bore Backset is Standard.
- 2-3/4" Bore Backset Upon Request.



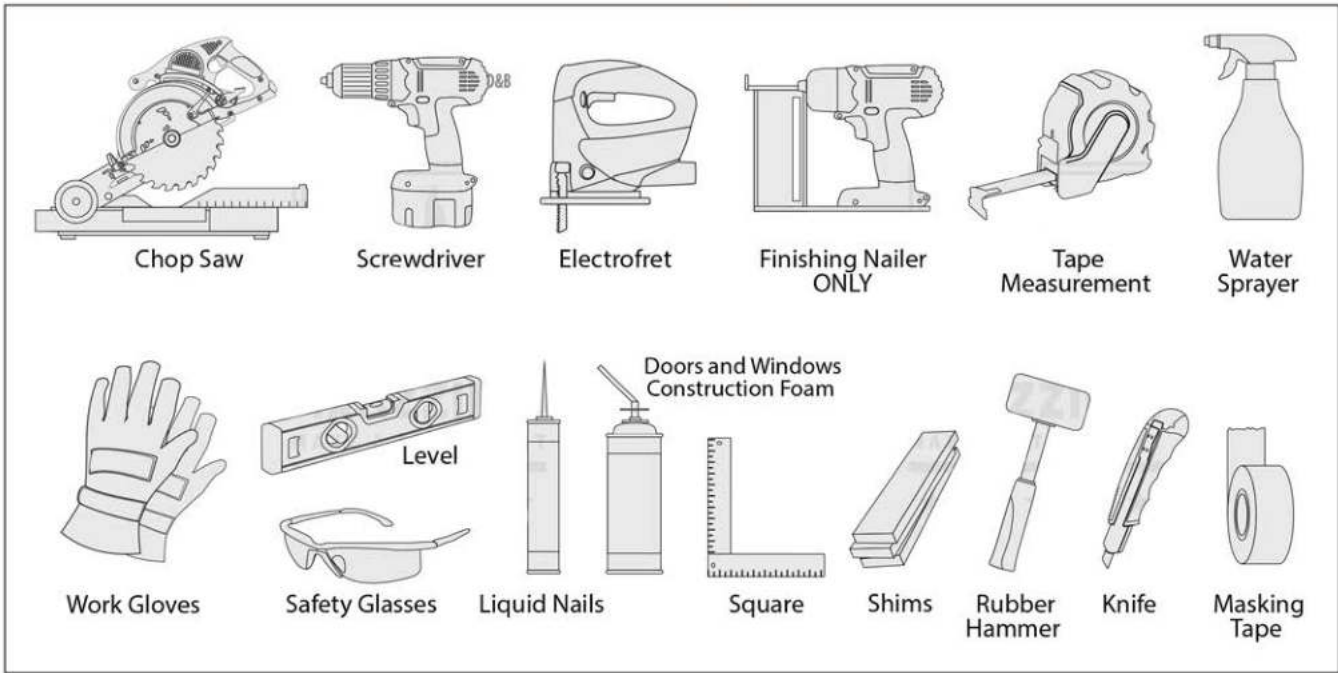
European Lock Bore with Standard Hinges Pre-Hung



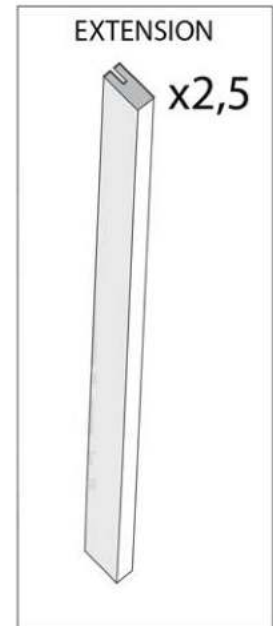
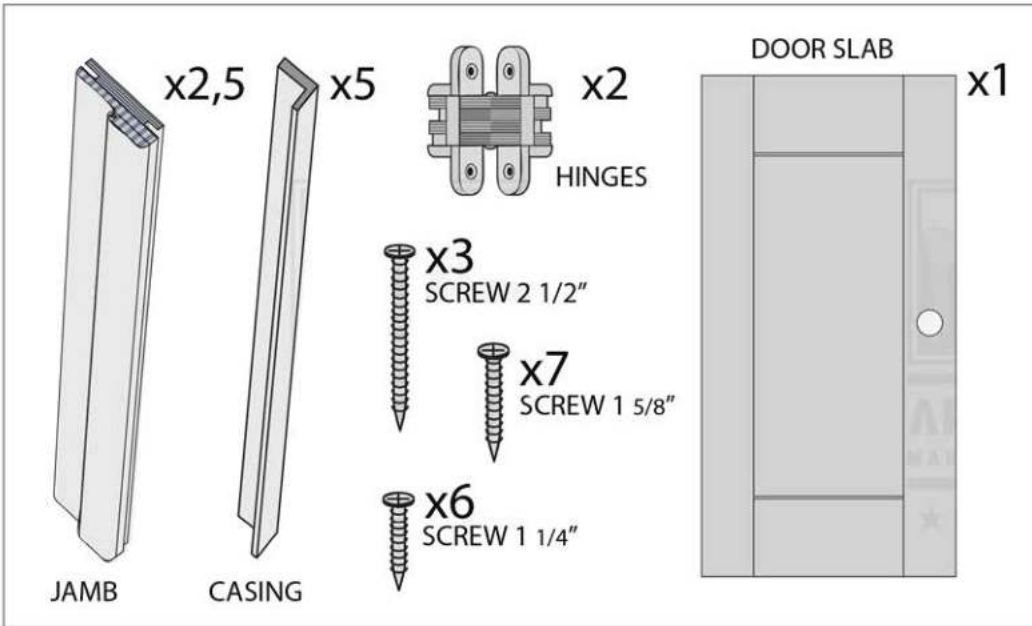
- Hung on Ball Bearing Mortise Hinges 3.5" x 3.5" x 5/8" Radius
- 3 Hinges for Doors up to 84 inches
- 4 Hinges for Doors over 84 inches
- Finish: Satin Nickel, Black, Gold, Chrome
- European Magnetick Lock prepped and installed.
- Passage, Privacy or Keyed Function with Round or Square Trim Option.
- Smooth Operation.
- Slimmed European Trim



Necessary Tools

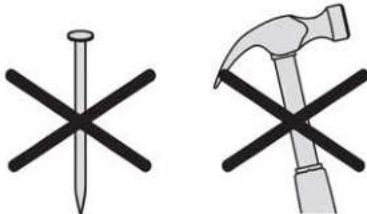


Door Parts



WARNING!

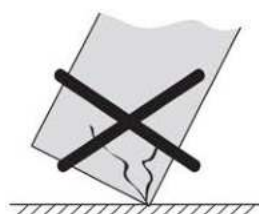
DO NOT USE STANDARD NAILS AND HAMMER



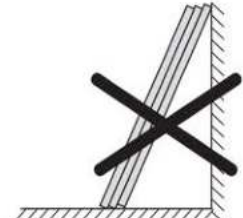
DO NOT STEP ON THE DOOR

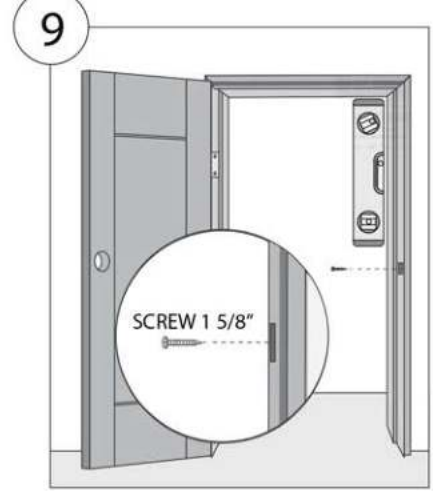
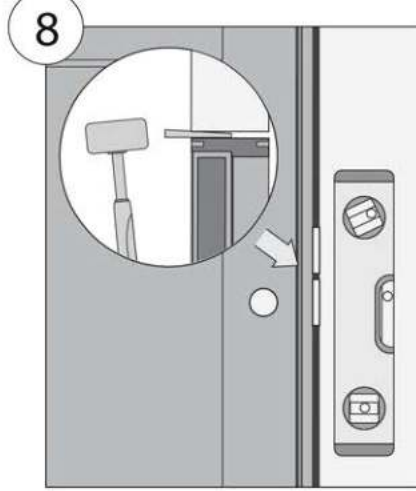
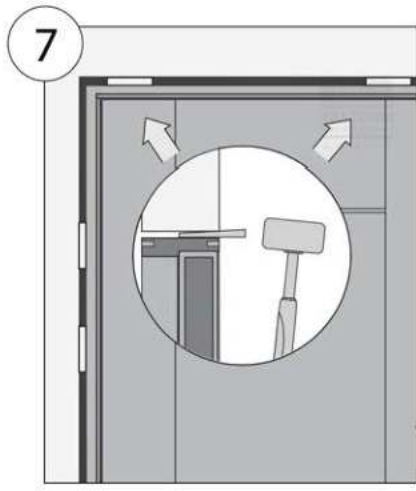
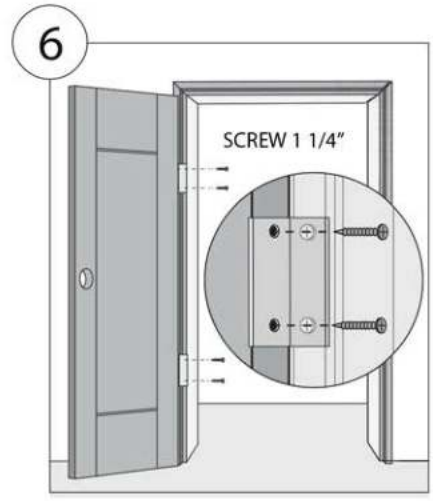
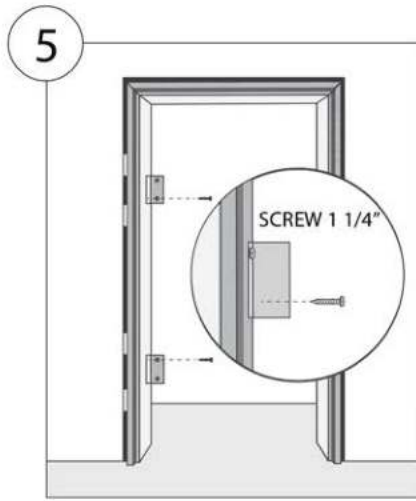
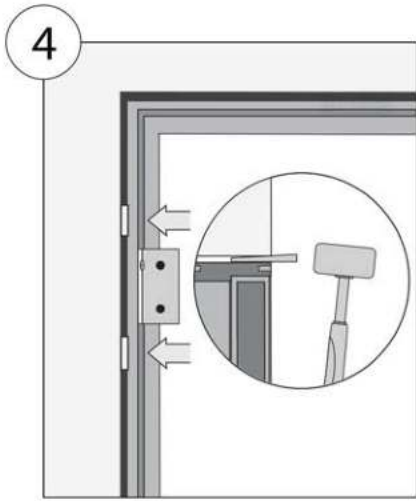
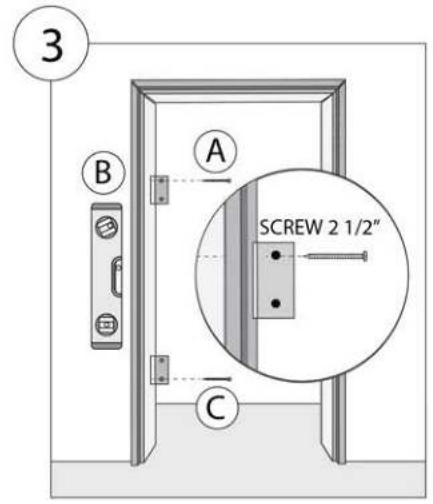
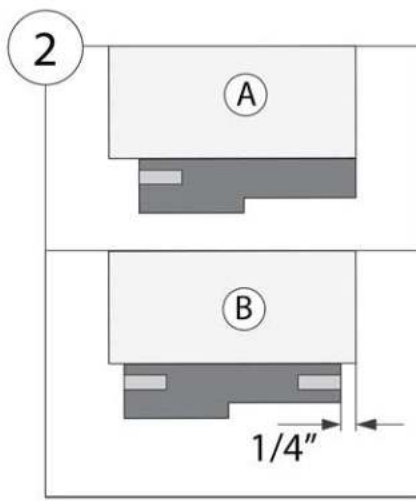
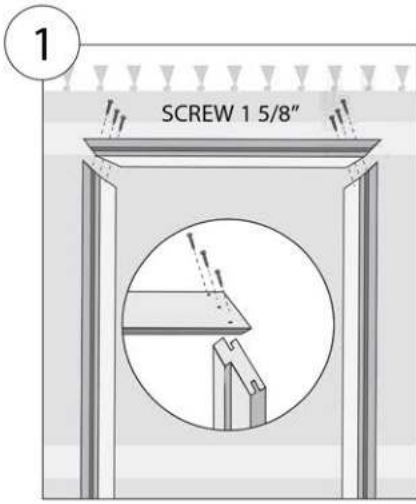


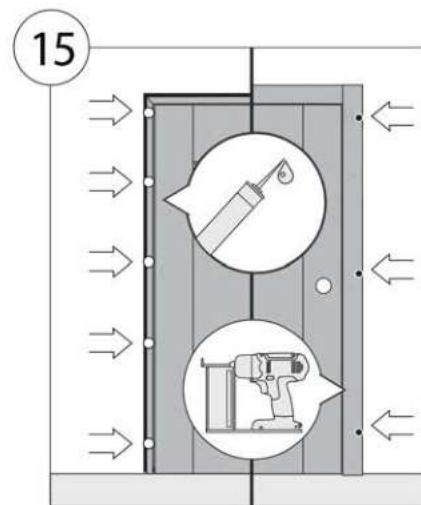
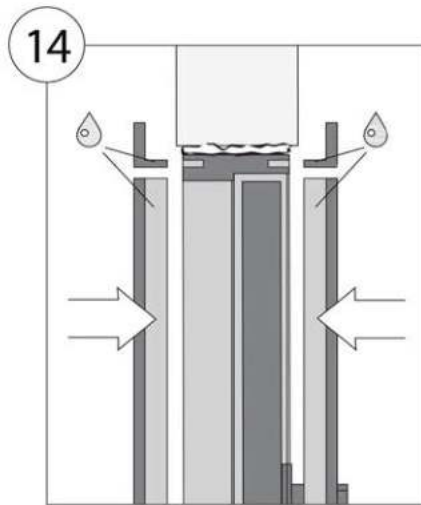
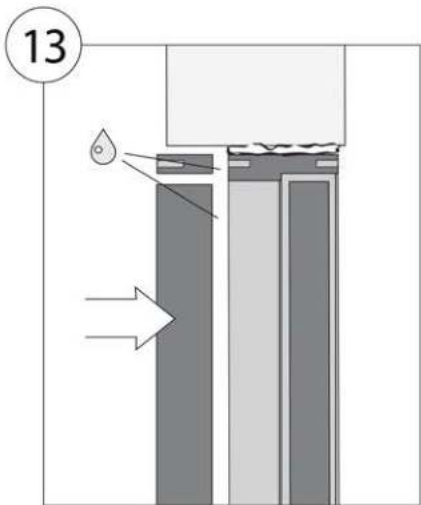
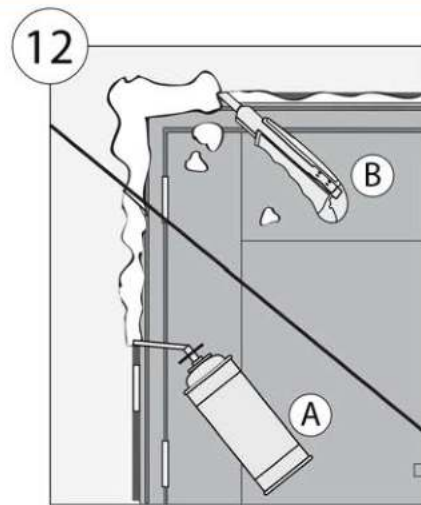
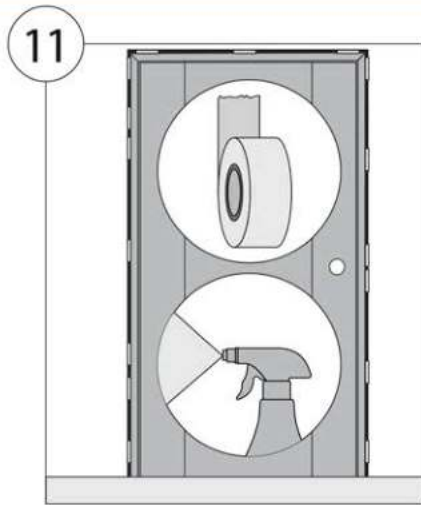
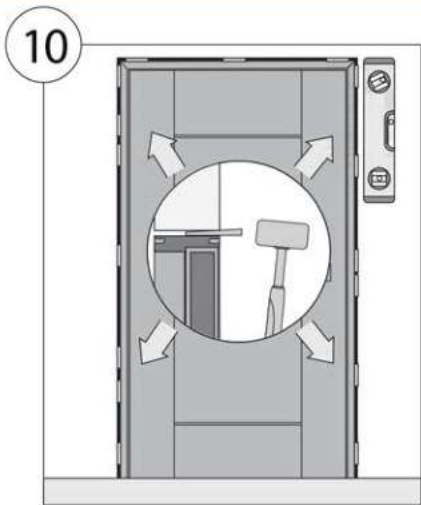
DO NOT LAY DOWN ON EDGES



DO NOT LEAN ON THE WALL





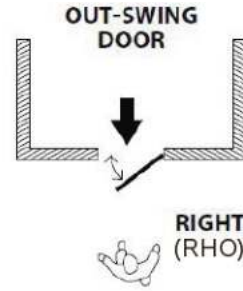
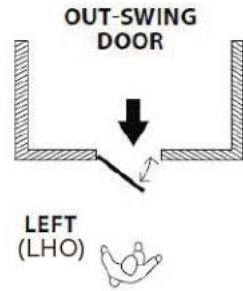
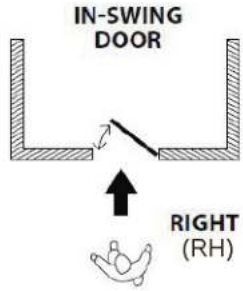


Congratulations
Installation Complete!

NOTES

STANDARD INTERIOR DOOR SIZES
18" 24" 28" 30" 32" 36"
STANDARD OPENINGS
20" 26" 30" 32" 34" 38"

SWING DIRECTIONS



INTERIOR DOOR POSSIBLE CONFIGURATION



SINGLE



DOUBLE



POCKET



DOUBLE POCKET



BI-FOLD



BYPASS



MAGIC



BARN



SEEMRAY
YOUR HOME YOUR WAY

4500 LEE RD #F CLEVELAND, OH 44128, USA

info@seemray.com

www.seemray.com

HAVE A QUESTION?
SEEMRAY IS HERE TO HELP
+1-888-315-9973

